

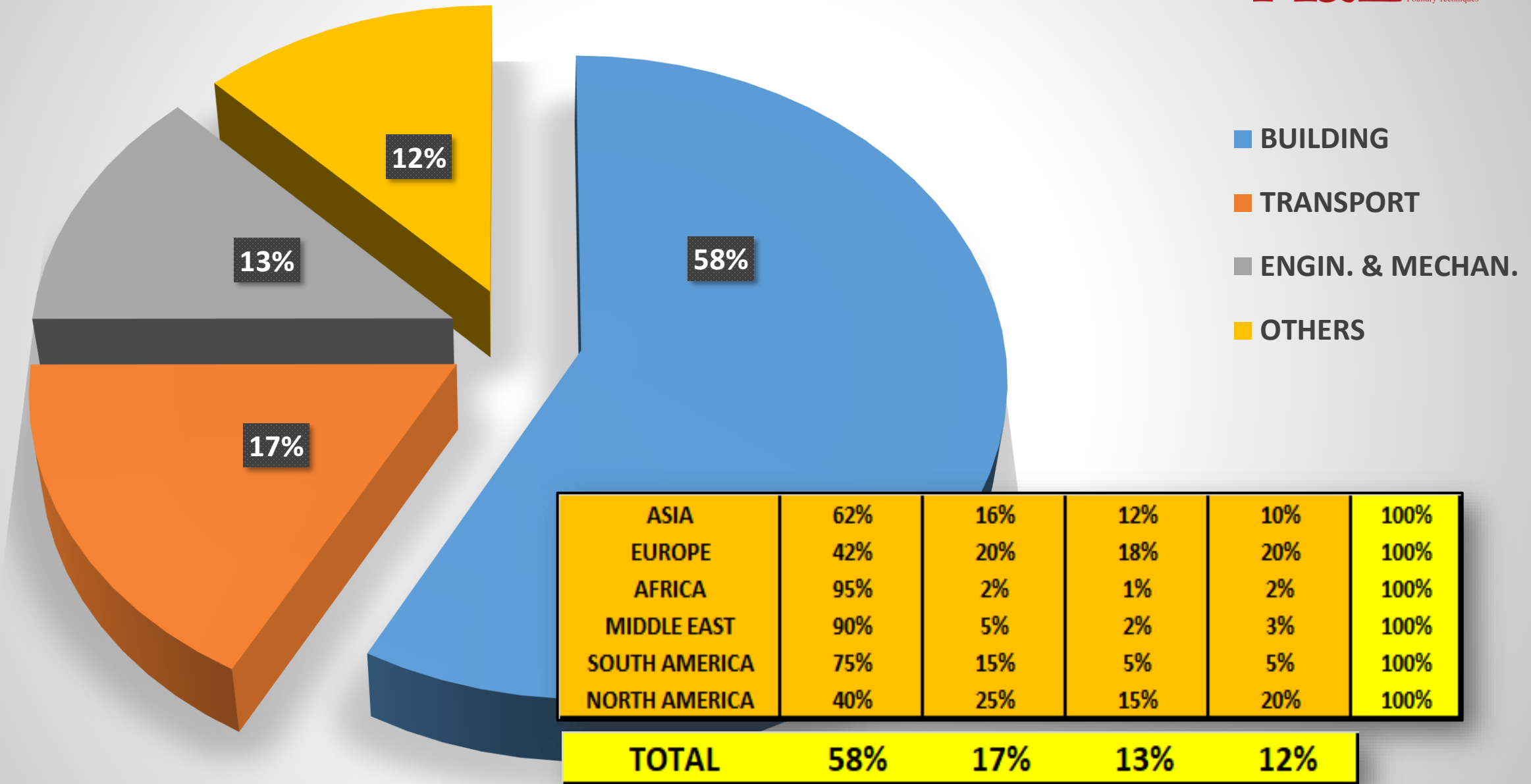
# AlumForum

Aluminium in architecture and construction  
The first International Forum

## THE ALUMINIUM ALLOYS FOR EXTRUDED PROFILES IN THE CONSTRUCTION INDUSTRY

Alberto Pomari Magazine A&L

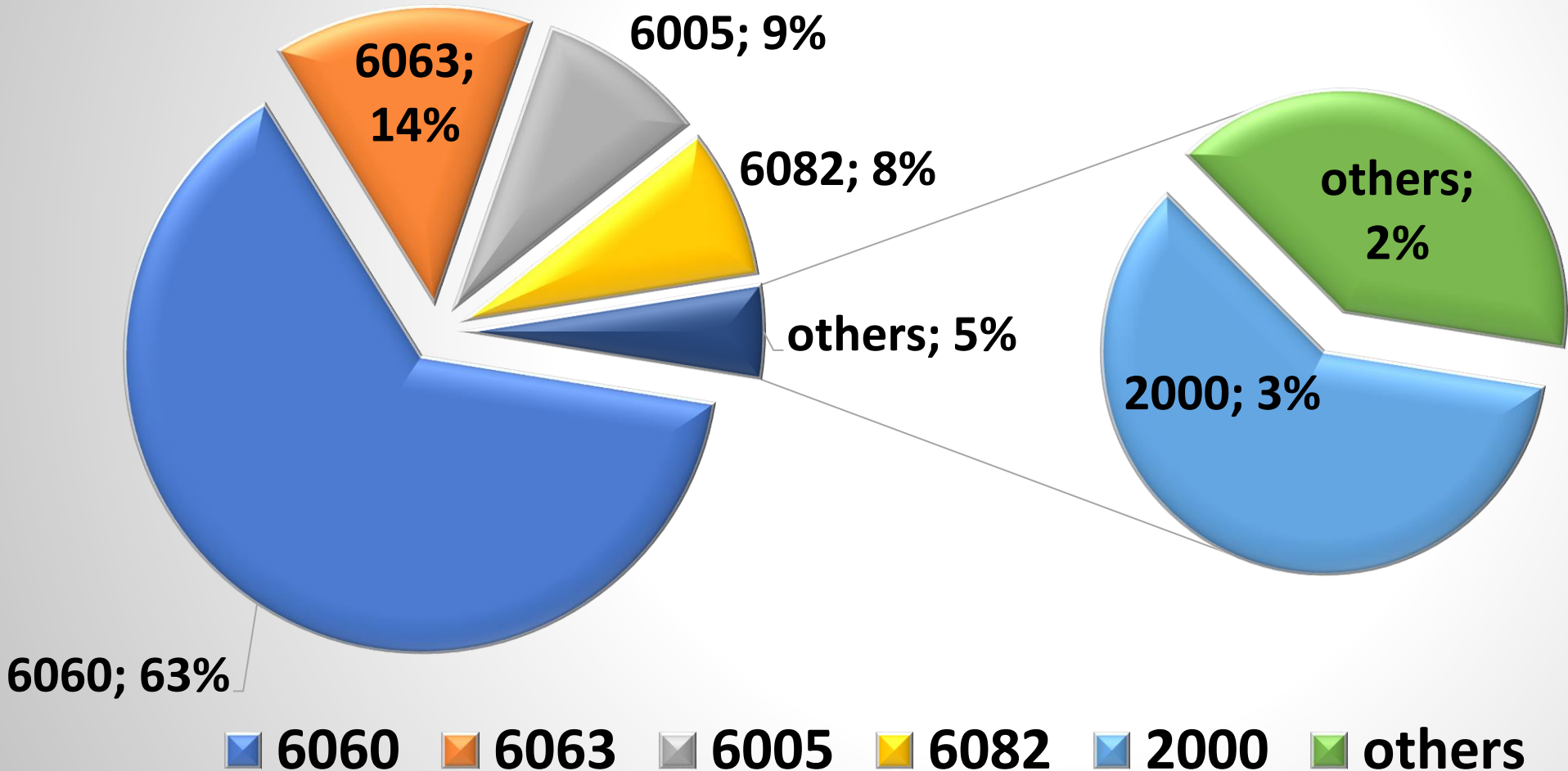
# % ALUMINIUM EXTRUDED WORLD FINAL USES



# ALLOYS WORLD END USE % 2020

## Extruded profiles

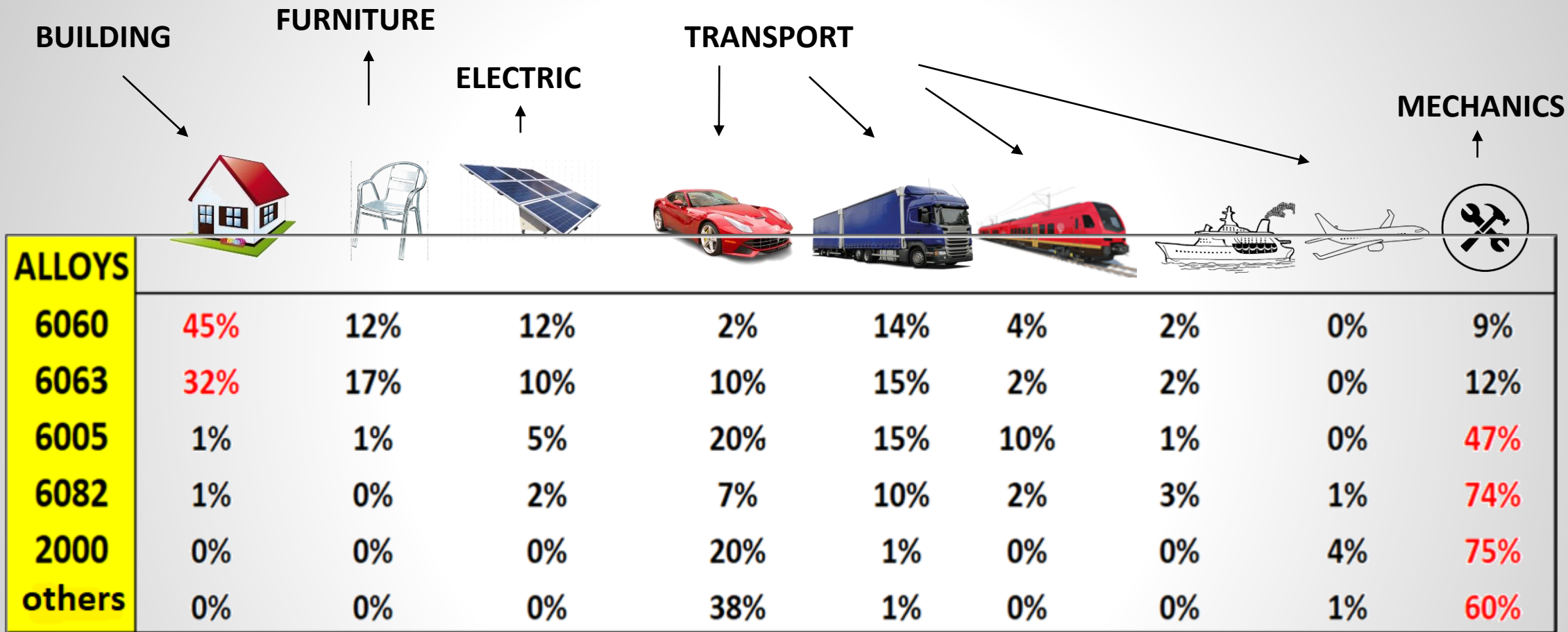
Extruded Profiles Euro



ALLOY	%
6060	63%
6063	14%
6005	9%
6082	8%
2000	3%
others	2%

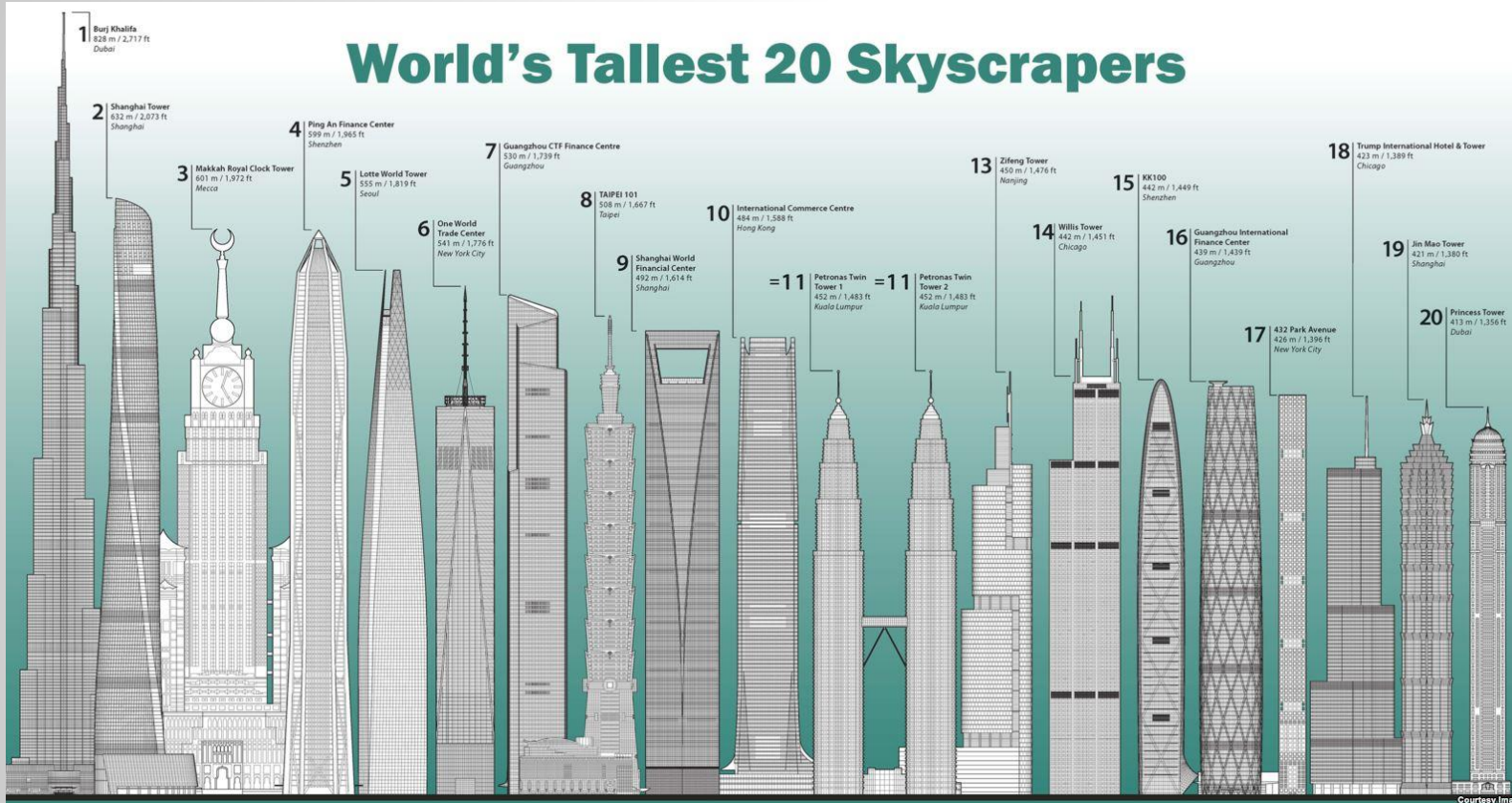
# ALLOY SECTORS EUROPE % 2020

Extruded profiles Europe. Source A&L data base

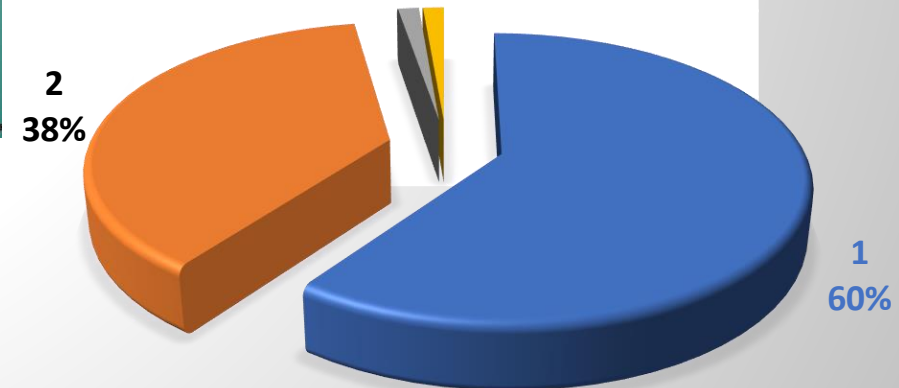


# MOST COMMON ALLOYS EUROPE: BUILDING SECTOR

Extruded profiles Europe. Source A&L data base



ALLOY	%
6060	60%
6063	38%
6005	1%
6082	1%



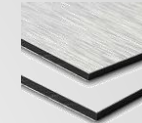
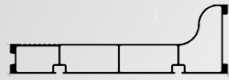
BUILDING SECTOR FOR 6060 ALLOY REPRESENTS APPROX 45% OF THE TOTAL USE OF THIS ALLOY

AlumForum 21-23 September 2021

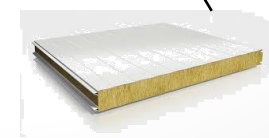
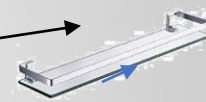
SOURCE A&L data base

# ALLOYS FOR BUILDING

aluminium rolling and extrusions Italy



BUILDING	SECTORS	PRODUCTS	ALLOYS ROLLING	ALLOYS EXTRUSION
	ROOFING	PROFILED METAL SHEETS	3003-5052	6005A-6063
	PANELS	ALU-STEEL AND MORE	1200-8079	6060
	FURNITURES	WALLS, PANELS, INTERIORS PARTS	5052-3003	6060
	STRUCTURES	ARENA'S, ELICOPTER DECKS, ALUMINIUM STRUCTURES		6063-6005A-6082
	FLOORS	PANELS, STAIRS, MARINE	5052-3003	6082-6005A
	BRIDGES	VARIOUS		6082-6005A
	WINDOWS	VARIOUS	3003-3105	6060-6063
	CURTAIN WALLS	SKY SCRAPERS, BUILDINGS	3003-5052	6063-6005A
	VARIOUS	COVERS, SOLAR TENTS AND MORE		6060





Alum  
Forum

AlumForum 21-23 September 2021



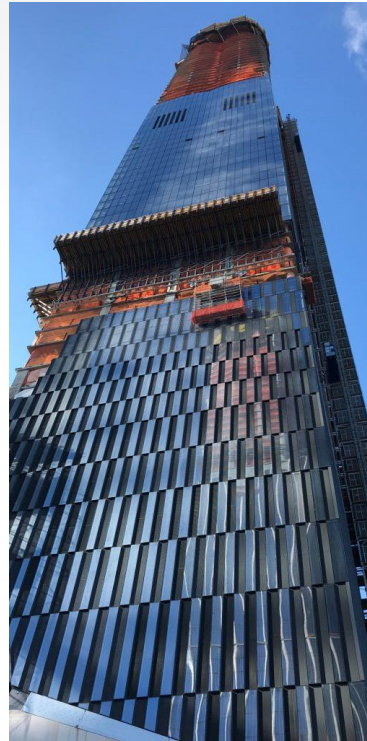




AlumForum 21-23 September 2021

**A&L**  
Aluminium  
Alloys  
Pressure Diecasting  
Foundry Techniques



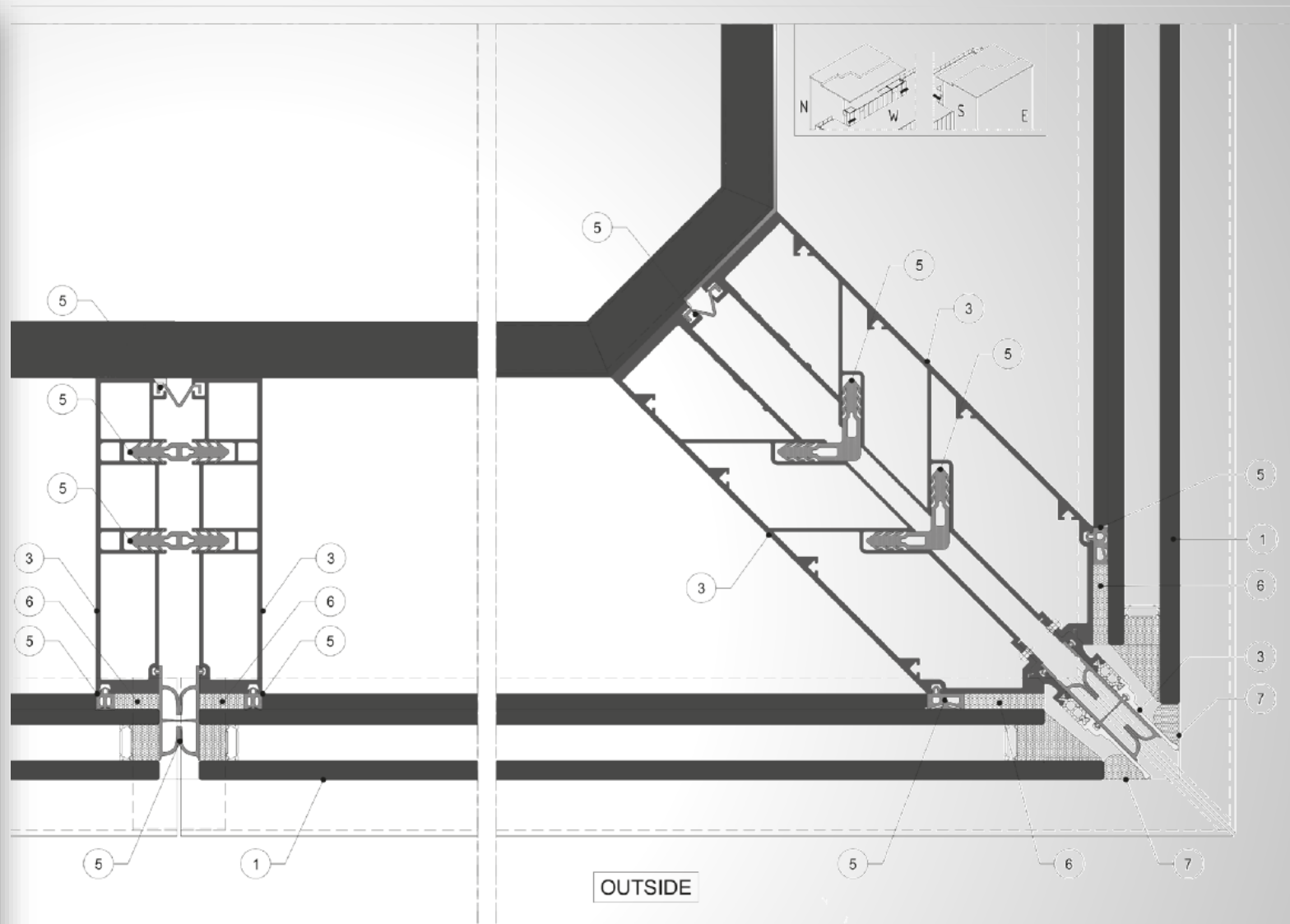


1000	2001	3002	4003	5004	6005	7006	8007
1011	2012	3013	4014	5015	6016	7017	8018
1019	2020	3021	4022	5023	6024	7025	8026
1033	2034	3035	4036	5037	6038	7039	8040
2000	3010	4011	5012	6000	3001	3002	3003
3004	3005	3007	3008	3011	3012	3013	3014
3016	3016	3017	3018	3020	3022	3027	3031
4001	4002	4003	4004	4005	4006	4007	4008
4009	5000	5001	5002	5003	5004	5005	5007
5008	5009	5010	5011	5012	5013	5014	5015
5017	5018	5019	5020	5021	5022	5023	5024
6000	6001	6002	6003	6004	6005	6006	6007
6008	6009	6010	6011	6012	6013	6014	6015
6016	6017	6018	6019	6020	6021	6022	6024
6025	6026	6027	6028	6029	6032	6033	6034
7000	7001	7001	7002	7003	7004	7005	7008
7008	7009	7010	7011	7012	7013	7015	7016
7021	7022	7023	7024	7026	7030	7031	7032
7033	7034	7035	7036	7037	7038	7039	7040
7042	7043	7044	8000	8001	8002	8003	8004
8007	8008	8011	8012	8014	8015	8016	8017
8019	8022	8023	8024	8025	8028	9001	9002
9003	9004	9006	9010	9011	9016	9017	9018

AlumForum 21-23 September 2021

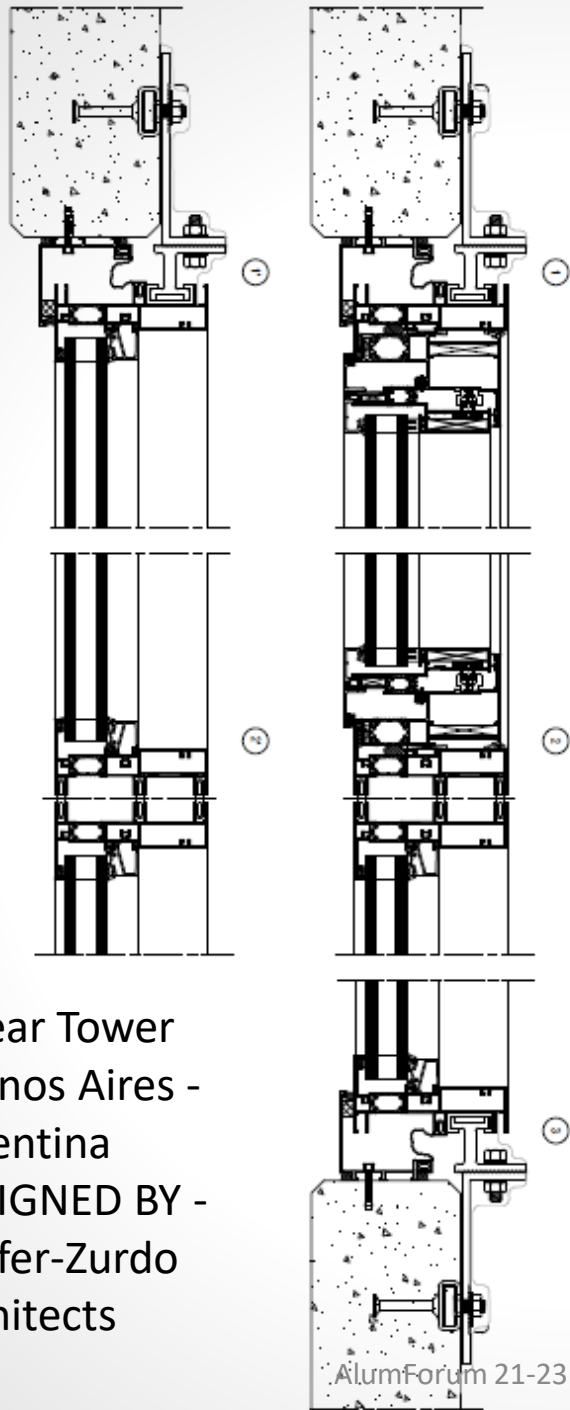


Solar Carve Tower  
New York - USA  
DESIGNED BY - Studio Gang





Alvear Tower  
Buenos Aires -  
Argentina  
DESIGNED BY -  
Pfeifer-Zurdo  
Architects

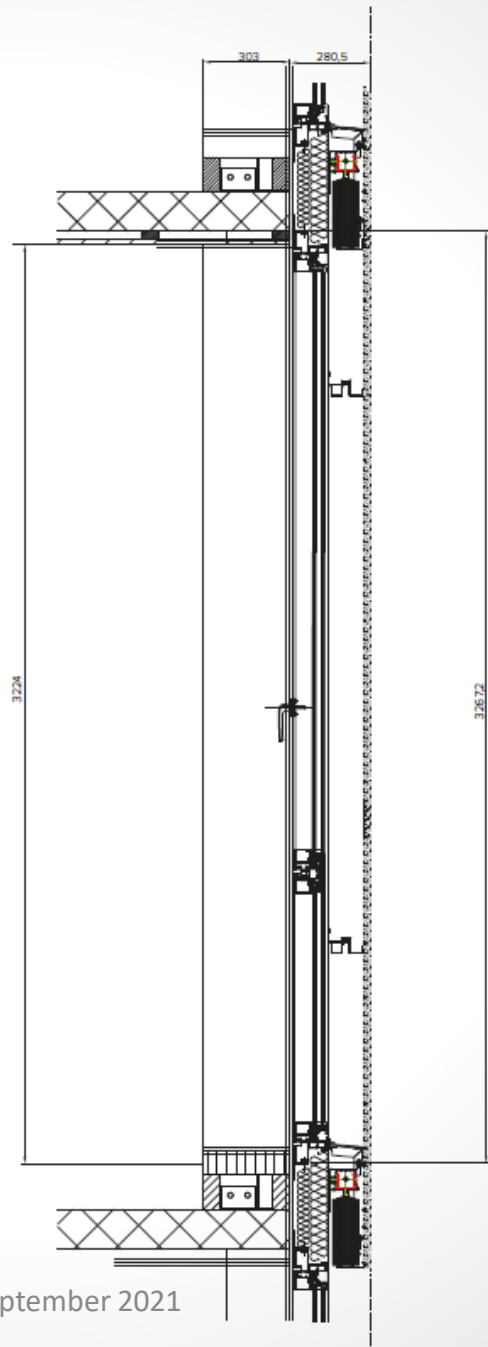




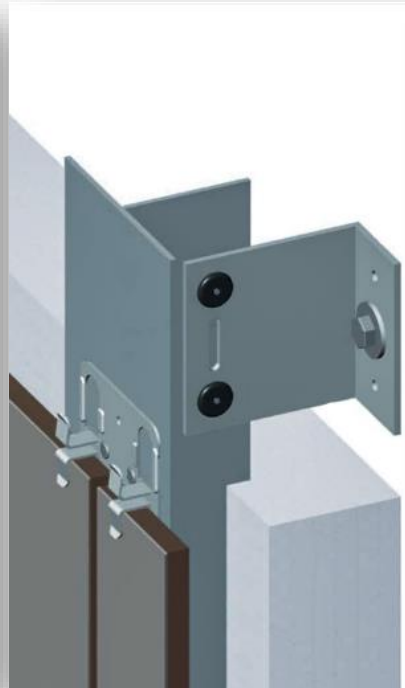
Pulse  
Paris - France  
DESIGNED BY - BFV architects

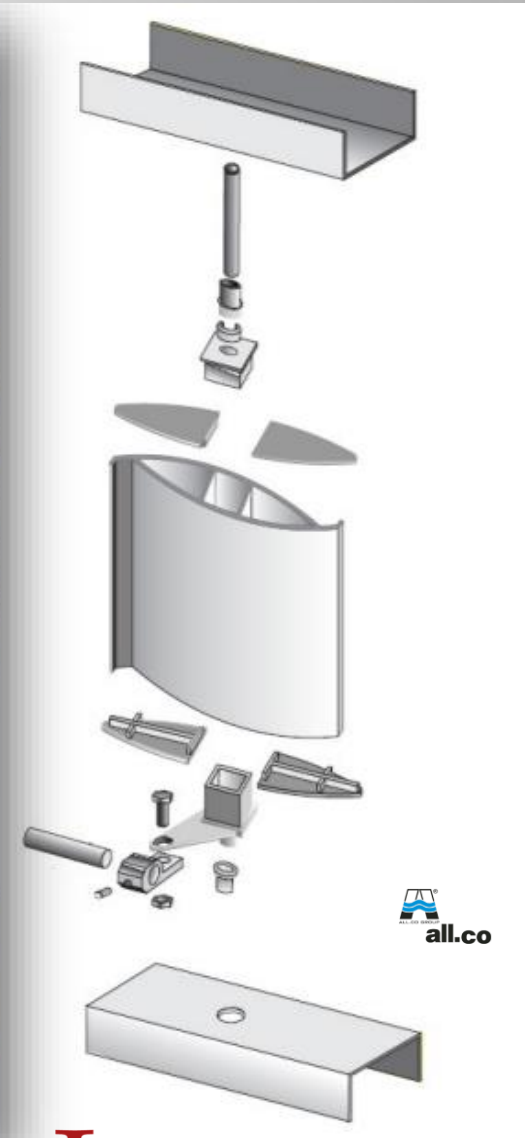


METRA



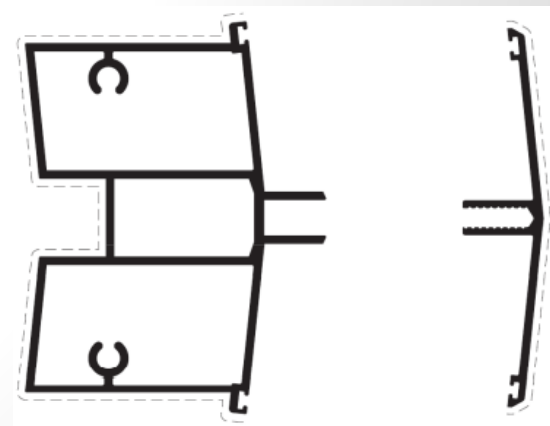
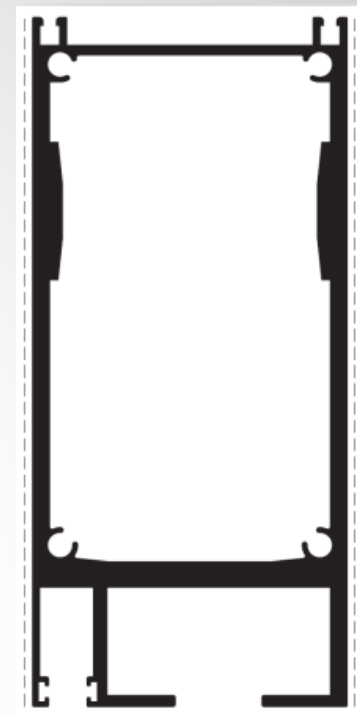








AlumForum 21-23 September 2021



# ALUMINIUM HELICOPTER DECKS









# ALUMINIUM BRIDGE

Source A&L data base constructor Bayards NL

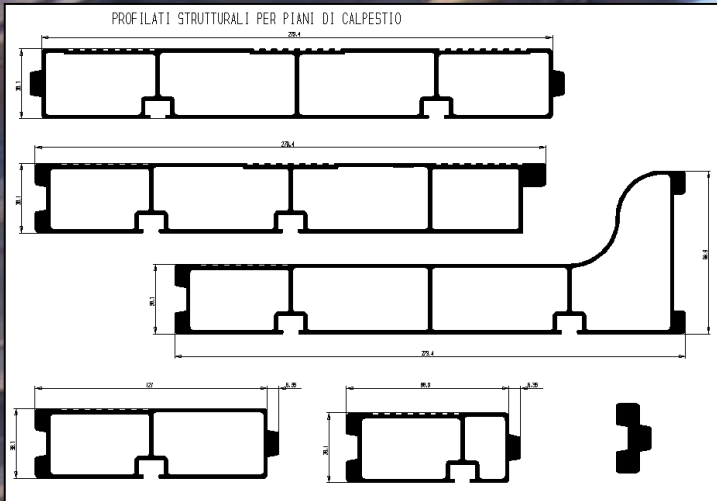




AlumForum 21-23 September 2021









AlumForum 21-23 September 2021

**A&L**  
Aluminium  
Alloys  
Pressure Diecasting  
Foundry Techniques

Alum  
Forum

**THANK YOU VERY MUCH  
FOR YOUR ATTENTION**