

KRASNOYARSK  
METALLURGICAL  
PLANT

# Krasnoyarsk Metallurgical Plant

Krasnoyarsk Metallurgical Plant (KraMZ) is in the centre of Siberia. It started production in 1969.

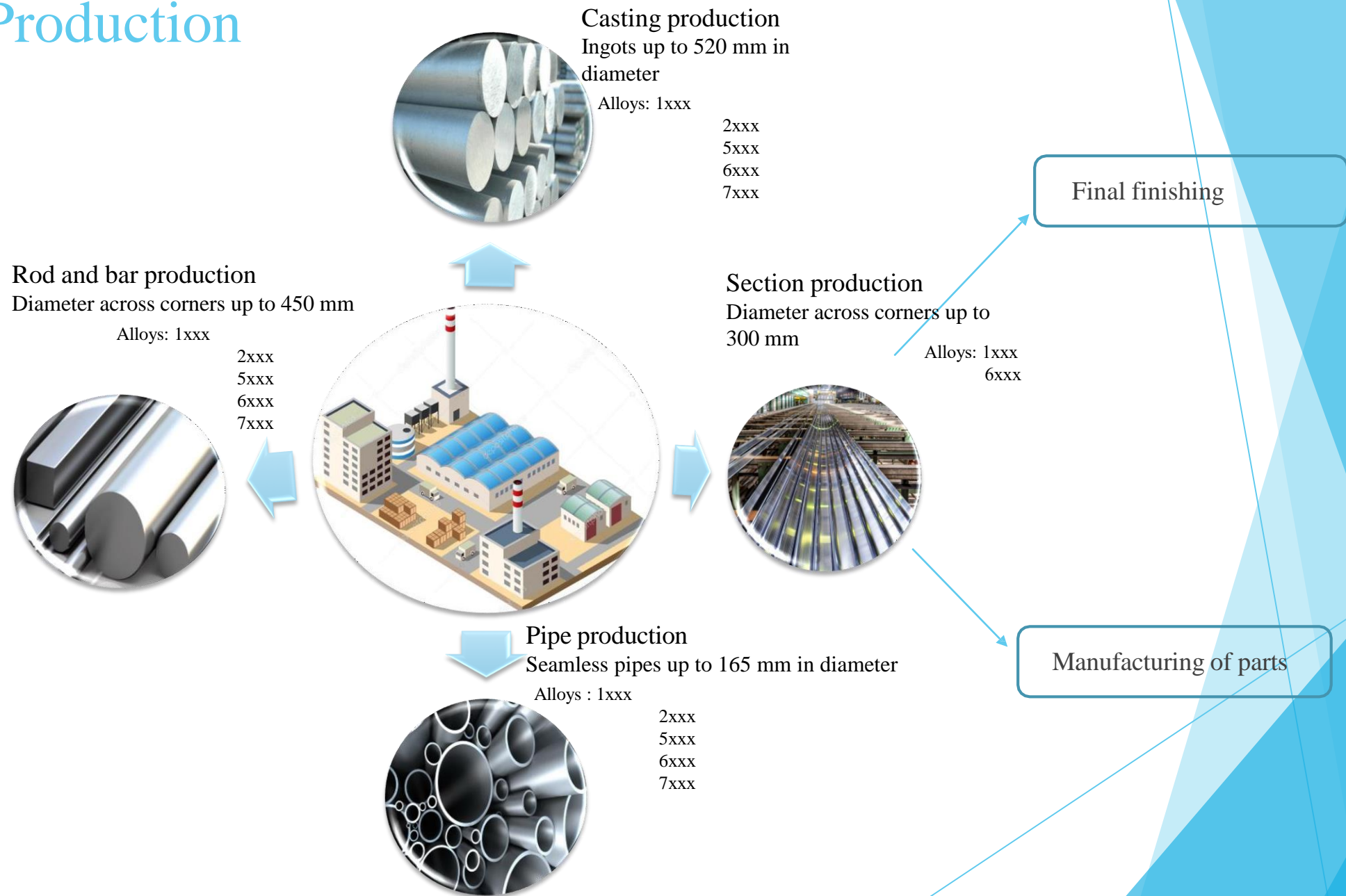
Being one of the leading large production facilities of the Russian non-ferrous metallurgical industry, KraMZ performs deep processing of aluminium and aluminium alloys. More than 2,000 employees ensure its uninterrupted operation.



The production facility's products are used in almost all industries, including construction, oil and gas engineering, special engineering, instrument making, aerospace engineering, automotive, etc. Products manufactured by KraMZ LLC are supplied to the European Union, USA, South Korea, Israel, Turkey, Australia and other countries of the global community.



# Production



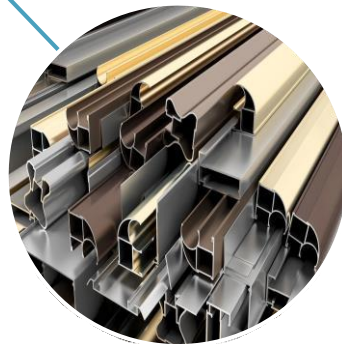
# Final finishing



Painting



Decorating



Anodising



# Manufacturing of finished parts

Currently, KraMZ has mastered the production of parts on an automatic 5-axis gantry-type machining centre designed for milling, drilling, threading and cutting of aluminium sections and large workpieces.

KraMZ also has extensive experience in welding aluminium structures.



# THANK YOU

[WWW.KRAMZ-TRADE.RU](http://WWW.KRAMZ-TRADE.RU)



(391) 256-40-71



(391) 256-40-70



[uoa@kramz.biz](mailto:uoa@kramz.biz)